



Thank you for choosing Better Bathrooms.
Please read this manual before installing your product
and keep for future reference.

better 
bathrooms

Bath Waste Cover Replacement

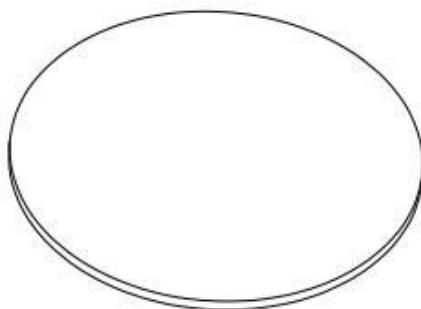


Image for installation reference only

Congratulations on your purchase

And welcome to our growing gang of savvy shoppers

We're on a mission to bring you extraordinary bathroom products, for less. From modern to traditional style ceramics, plus the gorgeous fixtures, fittings and furniture to match. So, you can fall in love with your space every single day.

As one of the UK's largest independent bathroom stores, we've received countless awards; including the National Business Awards UK, the Digital Entrepreneur Awards and being placed on The Sunday Times Fast Track 100.

We hope your new product goes above and beyond your expectations. However, should any problems occur, please:

- log in to your account and contact our customer services team via your self-serve portal – betterbathrooms.com/CustomerAccount/Login
- contact us via betterbathrooms.com/content/contact-us

Cleaning

- ① Clean with soft cloth and water;
- ② Do not use powders, pastes, crème cleaners, thinners, window cleaning sprays or dry cleaning liquid, etc.

Replacement Steps:

1. Pop up the waste, screw off the waste cover carefully and remove it. (see figure 1 & 2 & 3)
2. Replace the waste cover and screw it back to the waste body. (see figure 4)

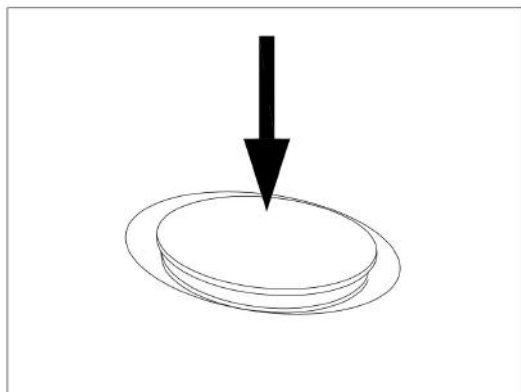


Figure 1

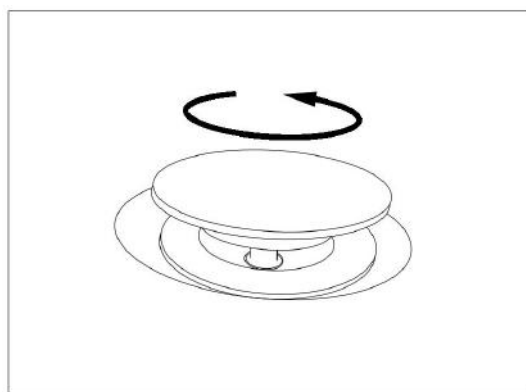


Figure 2

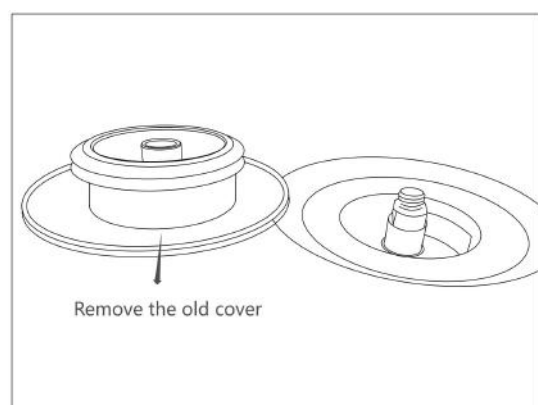


Figure 3

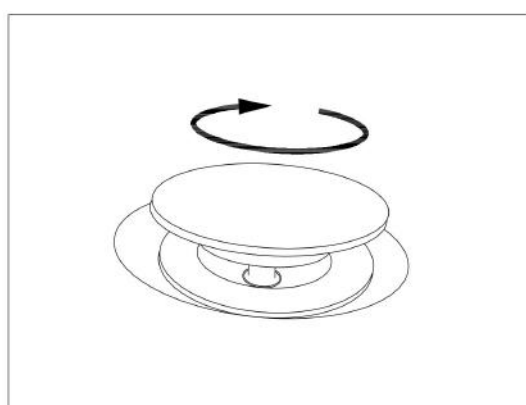


Figure 4

For more information

- visit betterbathrooms.com
- email customerservices@buyitdirect.co.uk
- call 0330 390 3062
- write to Trident Business Park, Neptune Way, Huddersfield, HD2 1UA

**better
bathrooms**

Part of the BuyItDirect Group